

NAV-TV

INTERFACING THE FUTURE

3950 NW 120th Ave, Coral Springs, FL 33065 TEL 561-955-9770 FAX 561-955-9760

CHRY UNI-CAM

Chrysler/Dodge/Jeep uConnect (RA4/RA3/RA2)
Single Camera/CIM Interface
NTV-KIT576/578



Compatible with select 8.4" & 5" uConnect radios



BHM
02/20/15
NTV-DOC202

Overview

The CHRY UNI-CAM system interfaces an aftermarket camera to the factory 8.4" or 5" touch screen in compatible 2013+ Chrysler, Dodge and Jeep vehicles. Additionally, the user can force the camera to display on screen at any time, in any gear.

Kit Contents



Plug & Play T-harness
 NTV-HAR246 or
 NTV-HAR264



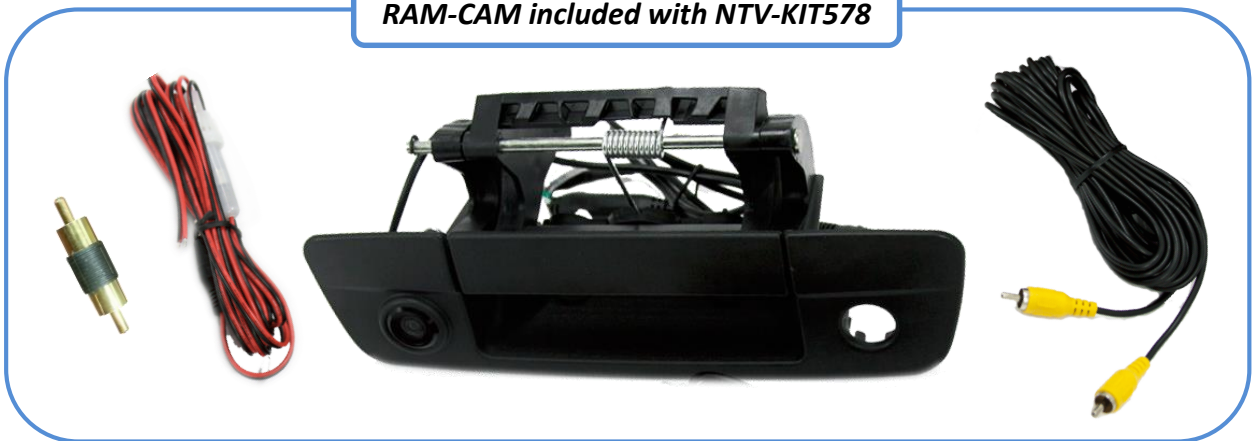
CHRY UNI-CAM Module
 NTV-ASY166



USB Cable (updates)
 NTV-CAB009

Compatibility (RA4/RA3/RA2: 8.4" or 5" Radios)			
	2013+	2014+	2015
CHRYSLER			300 (8.4" only)
DODGE	RAM, VIPER	DURANGO	CHALLENGER, CHARGER
JEEP		GRAND CHEROKEE	

RAM-CAM included with NTV-KIT578



Agreement: End user agrees to use this product in compliance with all State and Federal laws. NAV-TV Corp. would not be held liable for misuse of its product. If you do not agree, please discontinue use immediately and return product to place of purchase. This product is intended for off-road use and passenger entertainment only.

CHRY UNI-CAM pin out

PIN #	Description	Color
1	12v (+) Constant	Yellow
2	INPUT 1 (Control in Motion activation)	Red
3	INPUT 2 (Force Rear Camera)	Blue
4	--NOT USED--	Pink
6	RCA MALE	--
7	RCA Shield	--
8	CAN HI (Radio Side)	Brown/White
9	CAN HI (Car Side)	Blue/White
10	Ground (-)	Black
11	OUTPUT 1 (Provides 12v (+) ACC)	White/Red
12	--NOT USED--	Blue/White
13	--NOT USED--	Purple
15	RCA Female (Normally Open)	--
16	RCA Female (Normally Closed)	--
17	CAN LO (Radio Side)	Brown
18	CAN LO (Car Side)	Blue



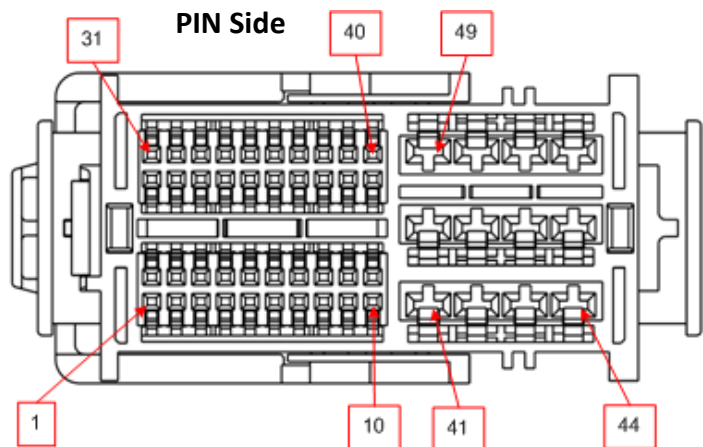
Wire Side

*Note: Vehicles equipped with a **monochrome screen** are not full color LCD screens and are not compatible with the CHRY UNI-CAM.*



2013+ Dodge/Jeep Radio LCD connector pin out

Pin #	Description	Color
2	CAN HIGH	Dark Blue
12	CAN LOW	White
31	DIFF Video (+)	Green/Brown
32	DIFF Video (-)	Green/Orange
33	Shield	
43	Ground	Black
44	Constant 12v	Red



Agreement: End user agrees to use this product in compliance with all State and Federal laws. NAV-TV Corp. would not be held liable for misuse of its product. If you do not agree, please discontinue use immediately and return product to place of purchase. This product is intended for off-road use and passenger entertainment only.

Dash Disassembly (RAM)

1. Remove the Torx t20 screw at the right rear of the pocket on the right side of the dash.



2. Remove (2x) Torx t20 at the top of the dash. They are hidden beneath a rubber mat.



3. The face should be free now, pull straight outwards (towards you) with medium force. Use plastic panel tools if necessary.



4. Remove (4x) 7mm screws that secure the LCD touchscreen.



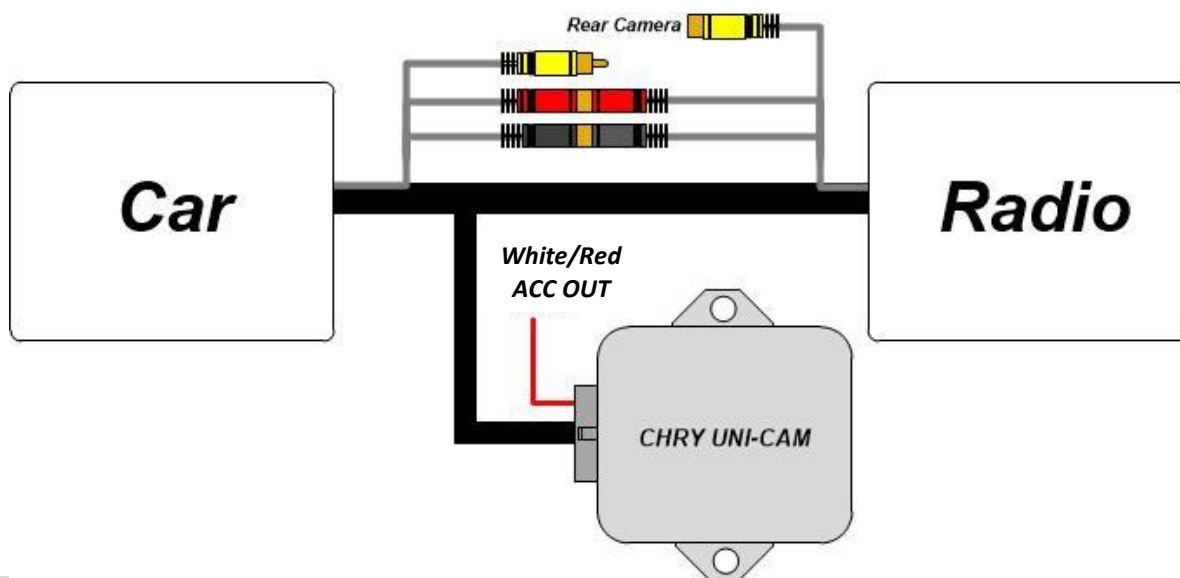
CHRY UNI-CAM Module Installation

It is strongly advised to install this data module while no other installations are being performed simultaneously, as the CAN network must be reset before testing.

1. After removing the factory radio, gather the **Plug & Play T-harness** and connect the female side to the factory 44-pin plug. Make certain the lock connects together securely.
2. If installing NAV-TV's optional **RAM-CAM**:
 - a. The factory tailgate handle must be removed
 - b. The factory key slot (in the tailgate handle) must be swapped over to the RAM-CAM's handle
 - c. Mount the RAM-CAM with the provided hardware
 - d. Connect signal (RCA) and power harness (extend) and run forward to the dash opening.
3. After installing a rear camera, connect the signal RCA to the **yellow female RCA** (side going into monitor) on the Plug & Play T-harness. Leave the male side RCA disconnected.
4. Connect the **red** and **black** RCAs together in the Plug & Play T-harness (otherwise, you'll lose audio)
5. Connect the CHRY UNI-CAM module to the 18-pin connector found in the Plug & Play T-harness.
6. Connect the monitor to the male side of the Plug & Play harness. Reconnect all other plugs to the monitor.
7. **Let the vehicle perform a CAN reset:** before attempting to test, after all Plug & Play connections are made, close all doors and leave ignition key out of the ignition for 3 minutes.
8. Test for proper operation (see 'Operation', pg. 6).



Installation Diagram



Agreement: End user agrees to use this product in compliance with all State and Federal laws. NAV-TV Corp. would not be held liable for misuse of its product. If you do not agree, please discontinue use immediately and return product to place of purchase. This product is intended for off-road use and passenger entertainment only.

FAQs

Q1. I hear no audio when my auxiliary source is playing.

A1. Verify that the audio RCAs are connected together in the Plug & Play T-Harness.

Q2. When I place the vehicle into reverse, I get a black/blue screen.

A2. Make sure the camera is getting sufficient power and the RCA is connected to the YELLOW RCA behind the screen, NOT to the RCA on the CHRY UNI-CAM.

Q3. The camera image is displayed properly when the vehicle is in reverse, but there's only a black/blue screen when the camera is forced.

A3. Make sure the camera power is not connected to the reverse lamps for power. Camera power needs to be connected to an accessory wire (cigarette lighter or OUTPUT 1).

Q4. When I force my OEM reverse camera, the image disappears after some time when traveling down the road.

A4. Forcing the factory camera is not supported with the CHRY UNI-CAM as it is data-controlled. Aftermarket reverse cameras will stay on provided the camera is powered with ACC.

NAV-TV
INTERFACING THE FUTURE



Agreement: End user agrees to use this product in compliance with all State and Federal laws. NAV-TV Corp. would not be held liable for misuse of its product. If you do not agree, please discontinue use immediately and return product to place of purchase. This product is intended for off-road use and passenger entertainment only.