

NAV-TV

INTERFACING THE FUTURE

3950 NW 120th Ave, Coral Springs, FL 33065 TEL 561-955-9770 FAX 561-955-9760

UCT13-5

Dodge/Chrysler/Jeep uConnect Interface for 5" monitor

NTV-KIT438



Overview

The Dodge uConnect Camera Interface (UCT13-5) system integrates an aftermarket rear camera into the factory uConnect 5" touch screen monitors in select Dodge, Ram and Jeep Grand Cherokee vehicles.

Kit Contents



Plug & Play T-harness
NTV-HAR246



UCT-13 Module
NTV-ASY166



USB Cable (updates)
NTV-CAB009

UCT-13 pin out

PIN #	Description	Color
1	12v (+) Constant	Yellow
6	RCA MALE	--
7	RCA Shield	--
8	CAN HI (Radio Side)	White/Brown
9	CAN HI (Car Side)	White/Blue
10	Ground (-)	Black
11	Provides 12v (+) ACC OUT (1 AMP)*	White/Red
12	--NOT USED--	Blue
13	--NOT USED--	Purple
15	RCA Female (N/A)	--
16	RCA Female (N/A)	--
17	CAN LO (Radio Side)	Brown
18	CAN LO (Car Side)	Blue



Wire Side

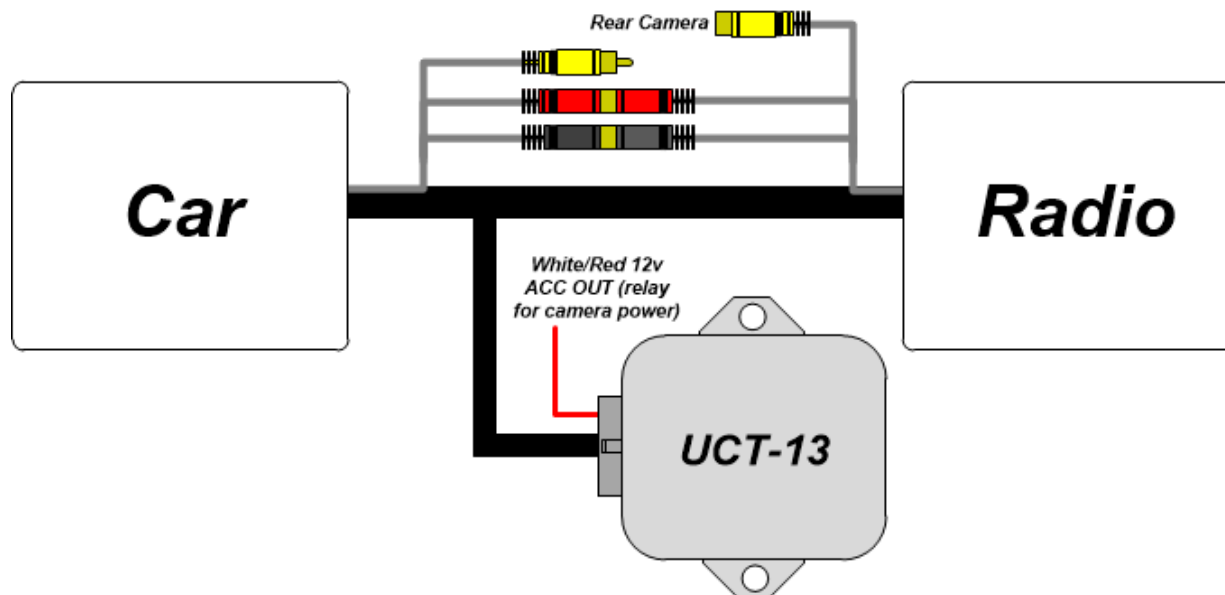
****If your camera draws more than 1 amp, use this wire trigger a relay for camera power.***

UCT13-5 Module Installation

1. Remove the factory radio. Gather the **Plug & Play T-harness** and connect the female side to the factory 44-pin plug. Make certain the lock connects together securely.
2. After installing a rear camera (power cam with ACC), connect the signal RCA to the **yellow RCA** on the **male side** (side going into monitor) of the **Plug & Play T-harness**. The other side of the **yellow RCA** can be left disconnected.
3. Connect the UCT-13 module to the 18-pin connector found in the Plug & Play T-harness.
4. Connect the monitor to the male side of the Plug & Play harness. Reconnect all other plugs to the monitor.
5. Close all doors (including trunk, if applicable) and lock the car. Wait 5-10 minutes for the CAN-bus to fully go to sleep.
6. Enter vehicle, turn ignition to 'ON' and place the vehicle in reverse (programming and reverse activation are automatic) to test for proper operation.
7. Replace dash pieces as necessary.



Installation Diagram



Agreement: End user agrees to use this product in compliance with all State and Federal laws. NAV-TV Corp. would not be held liable for misuse of its product. If you do not agree, please discontinue use immediately and return product to place of purchase. This product is intended for off-road use and passenger entertainment only.