

NAV-TV

INTERFACING THE FUTURE

3950 NW 120th Ave, Coral Springs, FL 33065 TEL 561-955-9770 FAX 561-955-9760

www.nav-tv.com info@nav-tv.com

BHM
02/26/20
NTV-DOC347

IOT-RVC

NTV-KIT951



Quick Reference
(LVDS) Video Cable connects at Radio
Power/CAN Harness connects at Radio
Unit requires Constant 12v
Do not power camera with reverse light. Use ACC or purple wire (through relay)

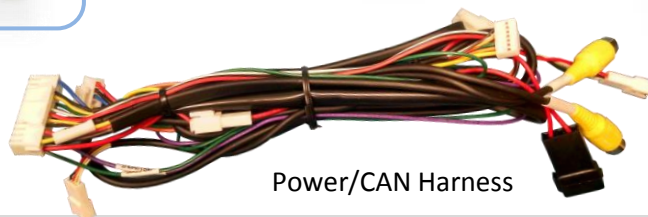
Overview

The IOT-RVC interfaces a backup camera input (and 1 additional video input for front camera only) to the factory media screen in select GM vehicles equipped with either the **MYLINK** or **CUE** (8" only) IOS or IOT media systems (2019+ only). *With KIT800, HDMI input is available with this unit.*

Kit Content

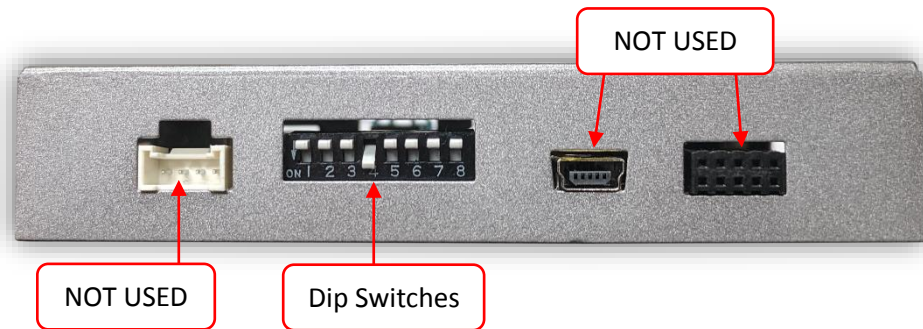
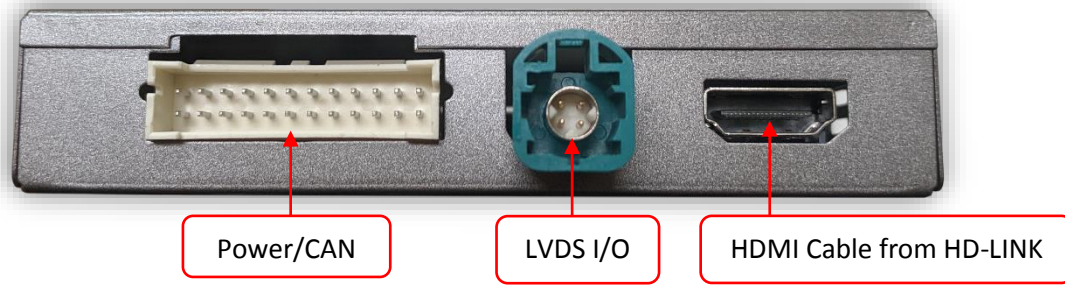


IOT-RVC Interface



Agreement: End user agrees to use this product in compliance with all State and Federal laws. NAV-TV Corp. would not be held liable for misuse of its product. If you do not agree, please discontinue use immediately and return product to place of purchase. This product is intended for off-road use and passenger entertainment only.

Interface Connectors



Dip Switch Settings (configure prior to installation)

Dip SW:	1	2	3	4	5	6	7	8
UP	HDMI OFF	X	FRONT CAM OFF	OEM RVC	X	X	X	X
DOWN	ADDING HDMI*		FRONT CAM ON	ADDING RVC				



***HDMI input requires KIT800**

Agreement: End user agrees to use this product in compliance with all State and Federal laws. NAV-TV Corp. would not be held liable for misuse of its product. If you do not agree, please discontinue use immediately and return product to place of purchase. This product is intended for off-road use and passenger entertainment only.

Interface Installation

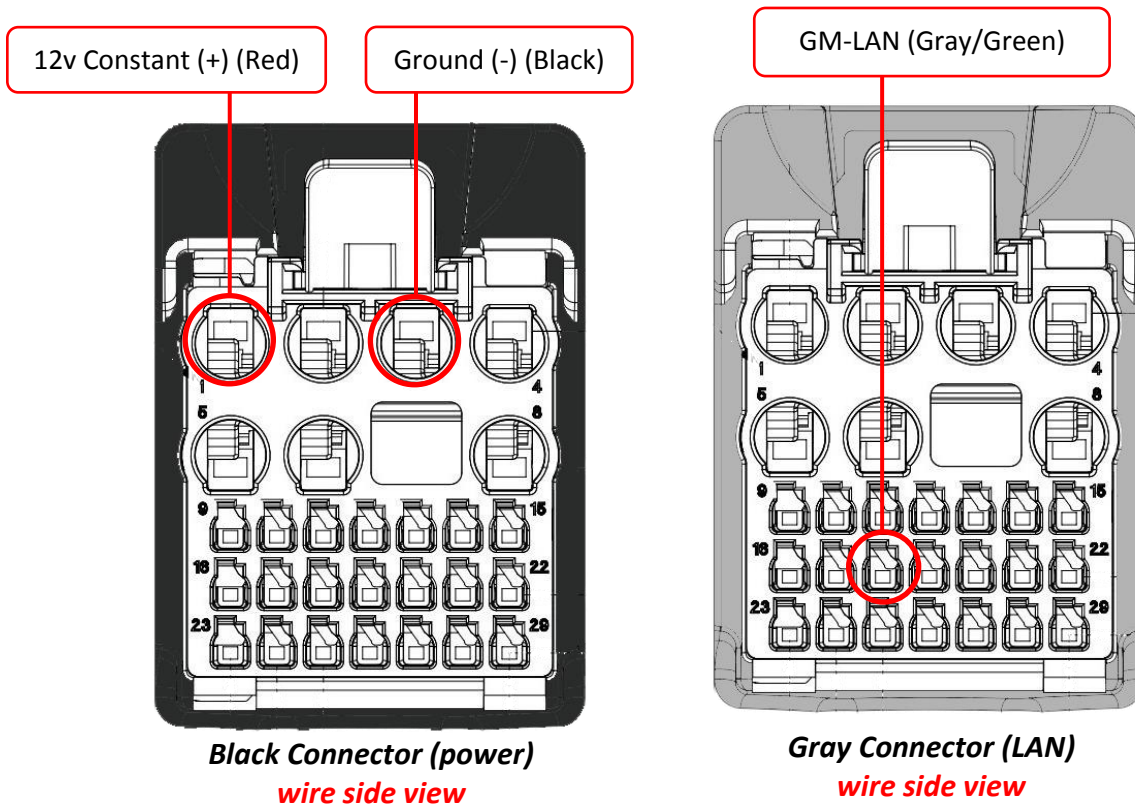
THIS INTERFACE INSTALLS AT THE RADIO TUNER, NOT AT THE SCREEN!

1. Locate the IOS/IOT GM radio tuner. For most vehicles, this should be located **behind the glove box, mounted vertically, up high**. The unit has an aluminum chassis with fins.
2. The 2 connectors required for wiring the unit in are circle here (right):



3. From the provided Power/CAN harness, connect the following:

Interface Wire	Function	Connector Color	Connect to OEM
Black	Ground (-)	Black (A)	Black (PIN 3)
Red	Constant 12v (+)	Black (A)	Red (PIN 1)
Blue	CAN HIGH	Gray (B)	Gray/Green (PIN 20)



Agreement: End user agrees to use this product in compliance with all State and Federal laws. NAV-TV Corp. would not be held liable for misuse of its product. If you do not agree, please discontinue use immediately and return product to place of purchase. This product is intended for off-road use and passenger entertainment only.

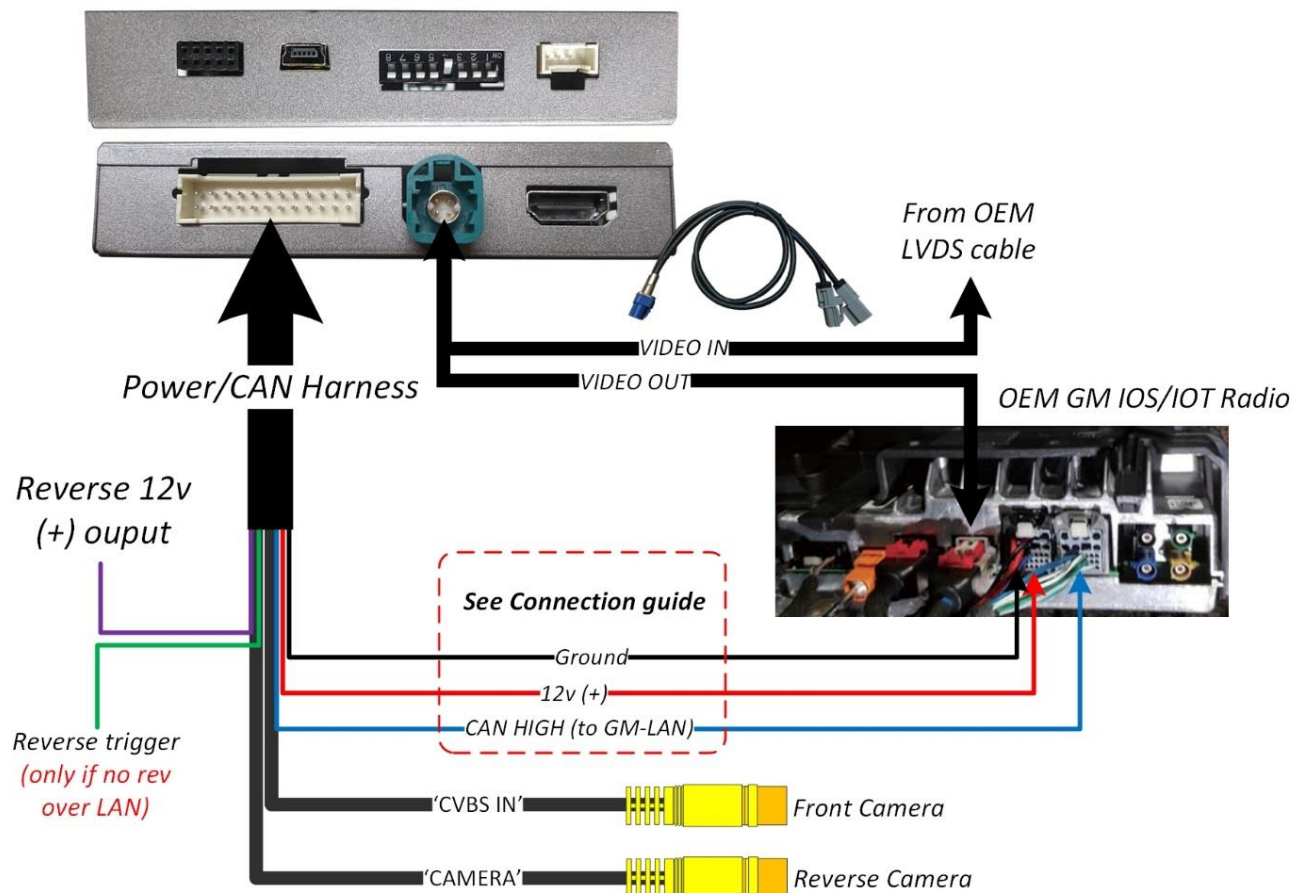
- No other wired connections are needed for a basic install. If adding a camera, the *violet wire* outputs 12v *in reverse only* (vehicle must be running) for power to camera.
- Disconnect the OEM LVDS cable (gray connector, blue cable. Red lock tab must be unlocked first) and insert the male side into the radio tuner. Connect the OEM cable to the female end of the provided LVDS I/O cable.



- Connect the blue end of the provided cable to port LVDS port on the IOT-RVC interface.

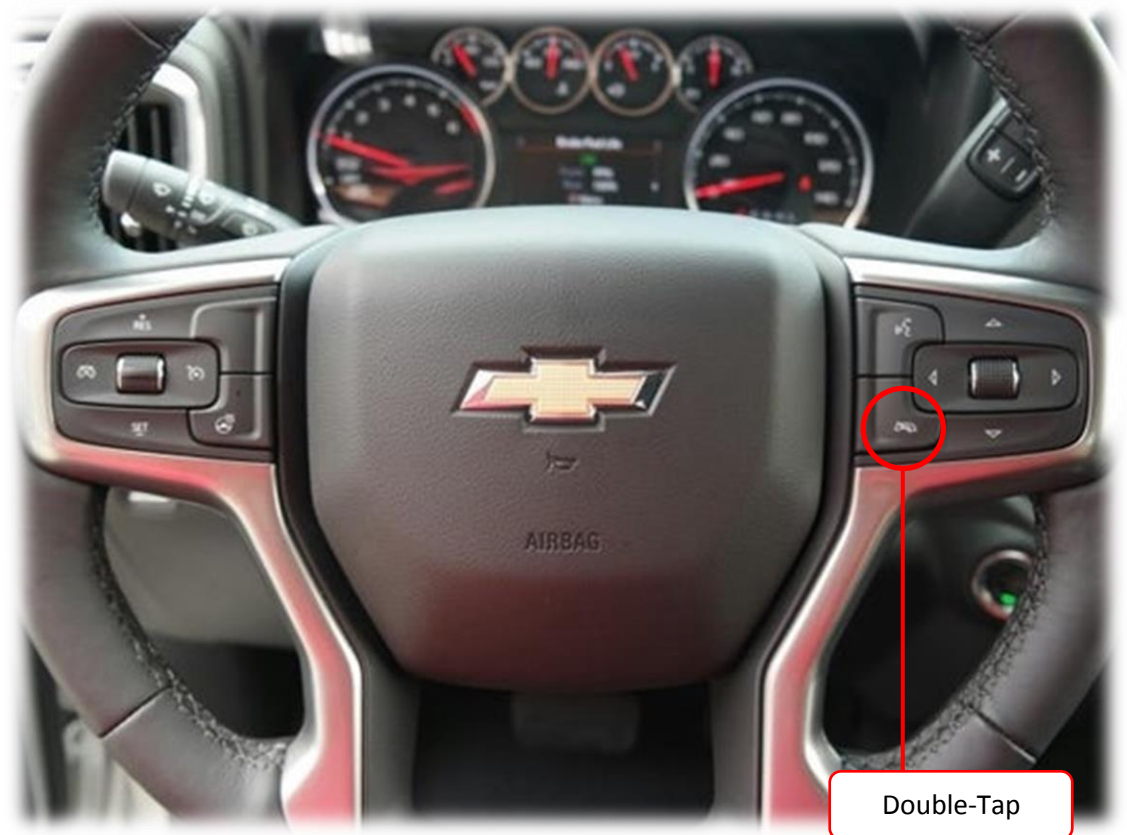


- Connect the reverse camera (if added) and front camera (if applicable) to the proper RCAs (RVC: 'CAMERA' and FVC: 'CVBS IN')
- Proceed to 'IOT-RVC Operation'



IOT-RVC Operation

- After all connections are made and **dip switches set properly**, start the vehicle. Placing the vehicle in reverse will show the connected rear camera, with dynamic guidelines overlaid onto the media screen.
- If adding a front camera, this must be activated *by setting DIP SWITCH #2 to ON*. Forcing this camera on at any time is performed by holding the double-tapping the phone **Hang-Up** button on the steering wheel (shown below).
- *The module will cycle through video modes in this order: OEM>HDMI>AV1>OEM, and will only show inputs that are active. Use the same button activation to return to OEM screen.*



Adding HD-LINK Adapter (HDMI Input, optional)

Follow the instructions below when adding the HDMI adapter (HD-LINK: KIT800) to enable HDMI input to the OEM screen:

1. Disconnect the main power plug from the IOT-RVC interface.
2. Put dip switch #1 in the **DOWN** position.
3. Reconnect the main power plug.
4. Connect the **black wire** to ground (-) and the **red wire** to ACC power (+) from the main power connector on the *HD-LINK* adapter. The RCA's on this plug provide audio from the HDMI source.
5. Activate the HDMI input by **holding** the *Voice Recognition button (2 seconds)* or pressing the *Hang-Up* button once on the steering wheel.

