



# PathFindIR II

## QuickStart Guide



Ready



Set



Go...

# Quick Start Guide

Installation of the PathFindIR II is quick and easy. Just mount the camera and ECU, connect to a 12v power source and a video monitor and you're done.

For the complete user manual and install video please go to our website at the following link: <http://www.flir.com/pf2docs>

- 1.** Before you begin, make sure you've got all of the parts you'll need. Your PathFindIR II kit should include the following items:  
*(along with 4 screws for mounting the camera)*



**PathFindIR Camera**



**ECU**



**PathFindIR To ECU Cable**



**Power/Video Cable**

- 2.** If you purchased the optional Installation Kit, you will also have:



**Video Monitor**



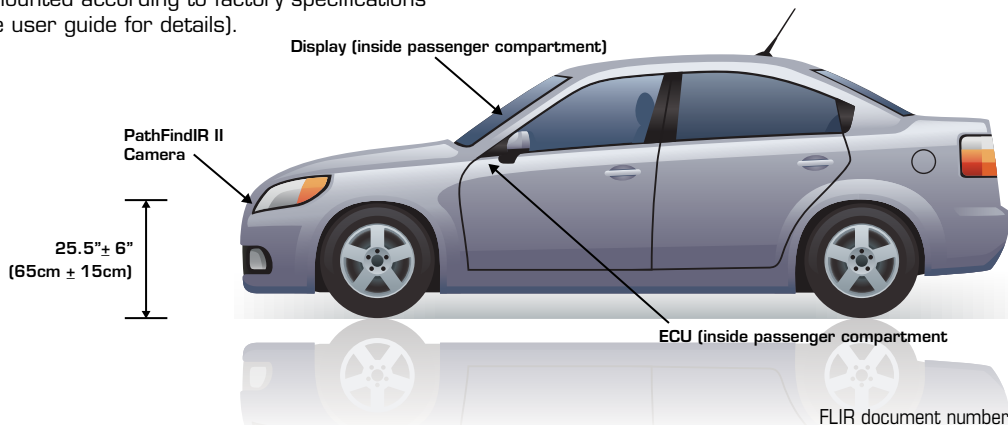
**PathFindIR Mounting Bracket**



**ECU Bracket  
(with ECU Installed)**

- 3.** First, you need to select an acceptable mounting location for the camera head.

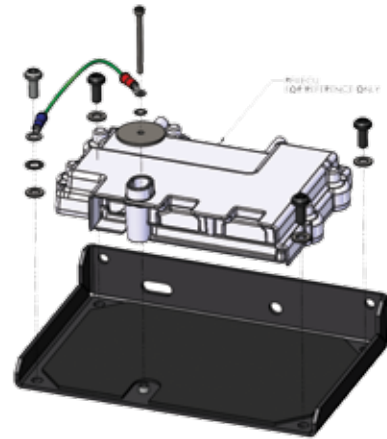
- Mount the camera in the front of the car behind the grille, but make sure it has no obstructions in its view.
- Don't mount the camera inside the passenger compartment, because it can't see through glass.
- To get the best performance out of the camera and its onboard pedestrian and animal detection algorithms, you need to make sure the camera is mounted according to factory specifications (see user guide for details).
- The camera should be mounted between 19 and 31 inches high, with the optimal height above the ground being 25 and a half inches high (65cm ±15cm). Also keep in mind that if you can mount the camera higher, you'll cut down the chances of the camera getting damaged by rocks or other road debris.
- Make sure that the camera won't be exposed to fast temperature changes, so keep it as far from the engine as possible.



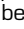
- 4** ■ Mount the camera head with the four M5 screws in the camera kit. You can either fashion your own mounting bracket, or use the bracket included in the optional Installation kit (*shown below*).




- 5** ■ The ECU is not weatherproof, so it needs to be mounted inside the passenger compartment or in the truck to protect it from moisture. You can either mount it yourself, or use the bracket that comes in the optional Installation kit.



- 6** ■ Route the ECU cable from the camera head to the ECU in its mounted location. Align the connectors and seat them firmly together. The connector is designed so it can only be attached one way.

- Connect the power cable to an appropriate, fused 12 volt power supply and connect the other end to the ECU in the port marked with the  symbol. The ECU should be grounded to give the best video signal.

**NOTE: IT IS VERY IMPORTANT TO CONNECT THE POWER TO THE ECU TO THE INPUT MARKED WITH THE  SYMBOL – OTHERWISE YOU MAY DAMAGE THE ECU!**

- 7** ■ Connect the video output cable to the monitor of your choosing. It is recommended that this cable be kept as short as possible.

- Once the camera is installed and operating, use the image on the display screen to verify that the camera head is aligned properly.
- In order to get the best Pedestrian and Animal Detection from the unit it needs to be precisely aligned;
- Align the camera so that the center of the image is aligned with the car + or - 2° to the left or right.
- Also make sure the center of the image is level with the horizon + or - 2°.
- Finally, make sure the camera isn't tilted left or right compared to a flat road surface.
- An example of a correct installation is shown below, with example red alignment lines shown:



That's it! Congratulations now go enjoy your PathFindIR II!



# Specifications

PathFindIR II

## KEY PERFORMANCE CHARACTERISTICS

### Thermal Imager

Sensor Type	320 x 240 Uncooled Microbolometer
Field-of-View	24° (h) x 18° (v)
Spectral Band	8-14 microns (LWIR)
Outputs	NTSC

### Power

Power Requirements	12 VDC
Power Consumption	2 W (6 W w/heater on) 1.8 A max. system current

### Environmental

Operating Temperature	-40°C to 80°C
Weather Resistance (Camera)	Hermetically Sealed, Automotive Qualified
Weather Resistance (ECU)	Non-Hermetic; Passenger Compartment mount required
Window	High-Impact Resistant Optic w/ Built-in Automatic Heating Element Replaceable Window

### Physical

Camera Dimensions	2.6" x 3.4" x 3.2" (60 x 86 x 82 mm )
Camera Weight	0.6 lb (300 g)
ECU Dimensions	5.8" x 4.3" x 0.9" (148 x 110 x 24 mm )
ECU Weight	0.7 lb (350 g)



#### SANTA BARBARA

FLIR Systems Inc  
70 Castilian Drive  
Goleta, CA 93117  
PH: +1 805.964.9797  
FAX: +1 805.685.2711

#### PORTLAND

Corporate Headquarters  
FLIR Systems, Inc.  
27700 SW Parkway Ave.  
Wilsonville, OR 97070  
PH: +1 866.477.3687  
FAX: +1.503.498.3153

Equipment described herein may require US Government authorization for export purposes. Diversion contrary to US law is prohibited. Specifications are subject to change without notice. For the most up-to-date specs, visit our website: [www.flir.com](http://www.flir.com). ©2014 FLIR Systems, Inc. All other brand and product names are trademarks of FLIR Systems, Incorporated. Created 03/24/14